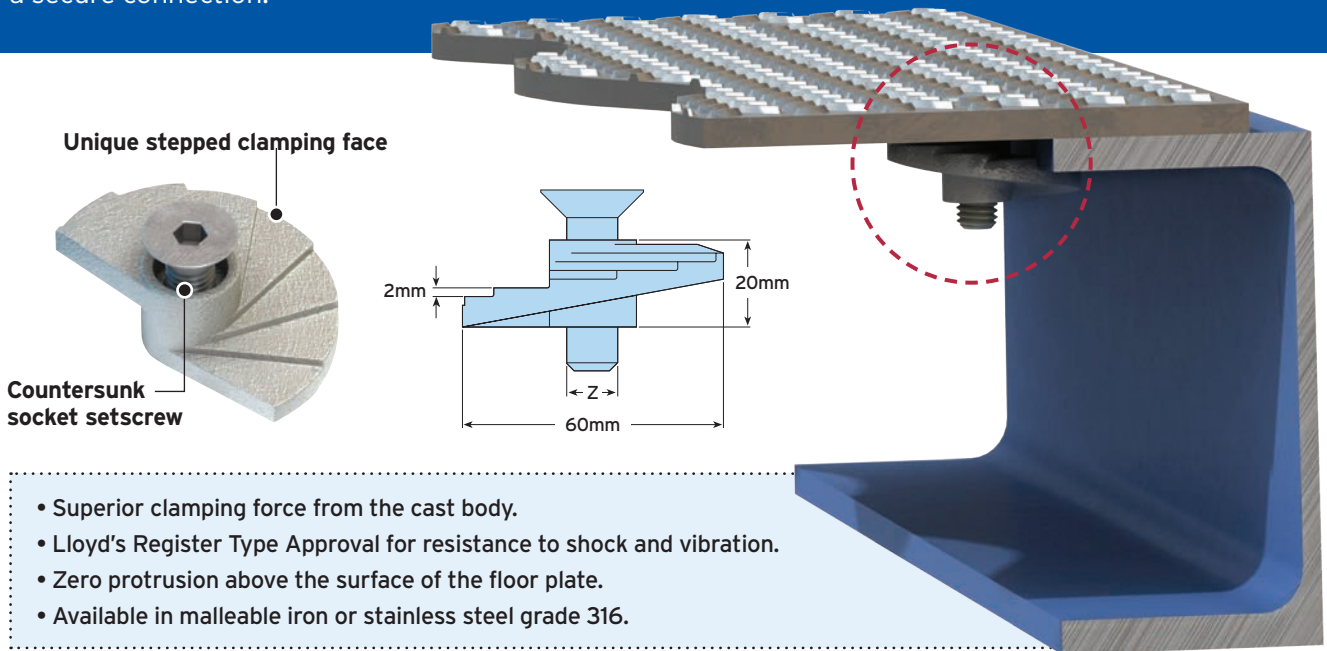
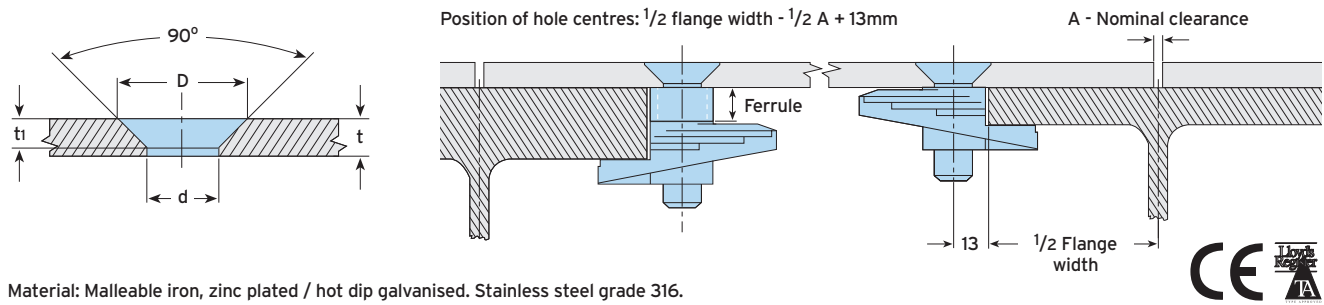


Type FF - FloorFast®

An innovative fixing for connecting chequer plate flooring to supporting steelwork. The stepped clamping face locks under the steelwork to provide a secure connection.



- Superior clamping force from the cast body.
- Lloyd's Register Type Approval for resistance to shock and vibration.
- Zero protrusion above the surface of the floor plate.
- Available in malleable iron or stainless steel grade 316.



Material: Malleable iron, zinc plated / hot dip galvanised. Stainless steel grade 316.

| Code | Bolt min 4.6 ¹⁾ Z | Floorplate Thickness t mm | Standard - mm | Flange Thickness With Ferrule ²⁾ | | | Dimensions | | | | | | |
|------|---------------------------------|---------------------------------|---------------------|--|-------|-------|-------------------|------------------------|-----------------------------|-----------------------------|-----|-------------------------|-------------------|
| | | | | 10 mm | 20 mm | 30 mm | Hole Ø d mm | Countersunk Ø for Bolt | | Countersunk Depth for Bolt | | Tightening Torque Nm | Hexagon Key mm |
| | | | | | | | BZP D mm | HDG D mm | BZP t ₁ mm | HDG t ₁ mm | | | |
| FF08 | M8 | 4.5 - 12 | 3 - 15 | 13-25 | 23-35 | 33-45 | 9 | 17 | - | 4 | - | 11 | 5 |
| FF10 | M10 | 5 - 12 | 3 - 15 | 13-25 | 23-35 | 33-45 | 11 | 21 | 19 | 5 | 4 | 22 | 6 |
| FF12 | M12 | 6 - 12 | 3 - 15 | 13-25 | 23-35 | 33-45 | 13.5 | 25 | 23 | 5.8 | 4.8 | 22 | 8 |

1) Hot dip galvanised M10 and M12 versions are supplied with a slotted countersunk screw.
2) To order FloorFast with a ferrule, simply add ferrule size to product code.

How to install...

Watch the installation video at www.Lindapter.com

- 1) Assemble bolt and FloorFast through the chequer plate.
- 2) Align castings with the straight edge parallel to the edge of the plate and hand tighten.
- 3) Lay the floorplate into position.
- 4) Using a hexagon key release countersunk screw one full turn.
- 5) Tighten down the countersunk socket screw.

Removal: Using a hexagon key, give the FloorFast one full anti-clockwise turn to release the connection from the flange.

CE For Characteristic Resistances when designing a connection to Eurocode 3, please refer to DoP No.013 on the website www.Lindapter.com/About/CE

GIRDER CLAMPS
RAIL FIXINGS
LIFTING POINTS
HOLLOW-BOLT
FLOOR FIXINGS
SUPPORT FIXINGS
DECKING FIXINGS